

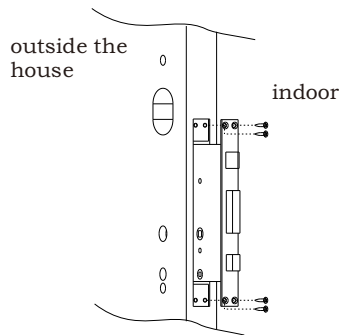


P8010
Installation exploded view

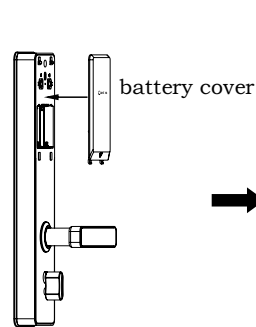
- Ⓐ  KA4*20 10PCS
 - Ⓑ  PM5*60 2PCS
- Installation screws**

INSTALLATION STEPS

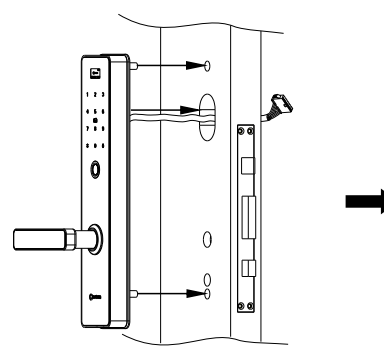
1.Install lock body



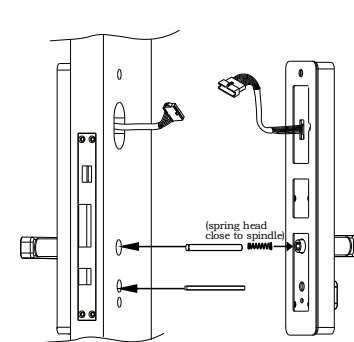
2.Remove the battery cover



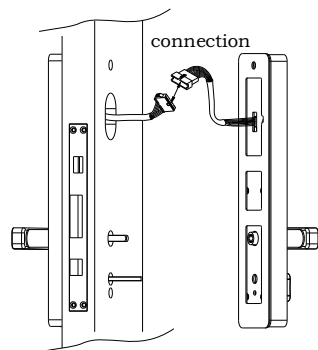
3.Install front panel fix with screw



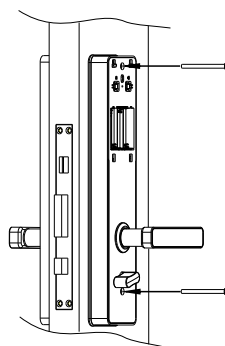
4.Mounting spindle & handle spring



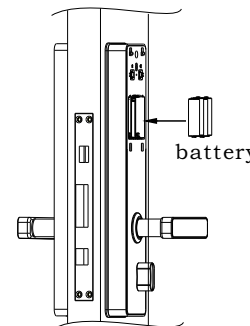
5.Install cable



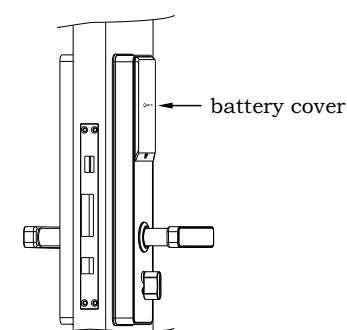
6.Fix screws and install rear panel



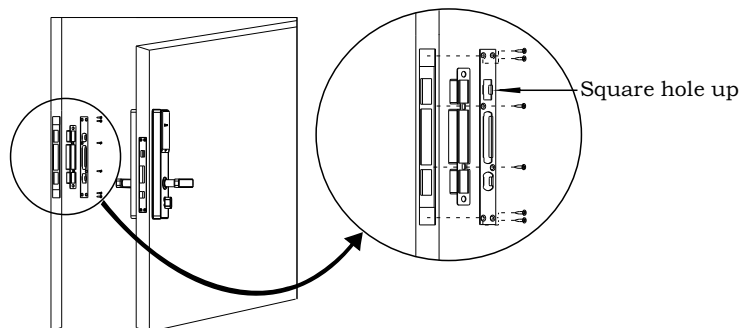
7.Install battery



8.Install battery cover



9.Install strike plate&box



ANNOTATION

- Smart locks must retain mechanical keys for emergency use.
- After the fingerprint lock is installed, the fingerprint, password and other information should be set at the first time. The management password and password should be set separately. The management password should not be the same as the unlocking password
- It is recommended to set up fingerprints for children to open the door and not tell the password, to avoid disclosing password. Once the password is revealed, please delete the original password in time and change to a new one.
- Please keep the instructions and packing boxes . If you need services, can contact factory or local office.
- Wish you a happy life.